

SLIM Tanks

We are pleased to inform you that the range of tanks is enriched with the **SLIM version**.

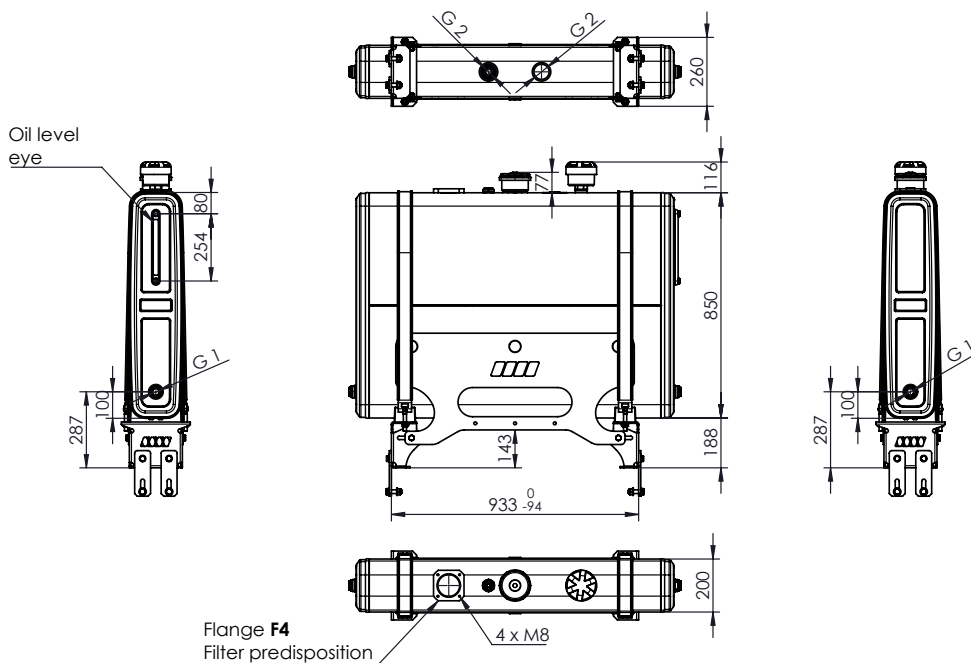
These tanks are the most effective response to the ever-increasing need to find an alternative arrangement to the tank to power the hydraulic system, making the most of the useful space available behind the cab of industrial vehicles. In this way, they solve the root of the lack of space along the chassis spars and thanks to their very small size, in combination with a solid and high-performance mounting kit as well as a range of specifically designed accessories, they allow you to meet every type of need and carry out quick and safe assembly even for the heaviest uses. They are available in various capacities and materials and come complete with a specific mounting kit.



ALUMINIUM		
Filling capacity	Tank code	Weight
		Kg
150	V1ARBU10020	48
180	V1ARBU12020	50,5
200	V1ARBU13520	52,5
250	V1ARBU16020	56



COATED STEEL (RAL 7021)		
Filling capacity	Tank code	Weight
		Kg
150	V1GRBU10020	67,5
180	V1GRBU12020	73
200	V1GRBU13520	77
250	V1GRBU16020	85



Link:
[Data sheet](#)
[Accessories](#)
[Mounting instructions](#)

#TankExpert